

DETROIT REGIONAL YACHT-RACING ASSOCIATION

2012 MEMBERSHIP RENEWAL AND YACHT REGISTRATION YACHT RE-REGISTRATIONS DUE FEBRUARY 5, 2012

NAME _____

Indicate Com., Mr., Mrs., Ms. Etc _____

ADDRESS _____

DRYA Yacht Club _____

CITY _____ STATE _____ ZIP _____

Home Phone _____

Business Phone _____

EMAIL _____

Fax Number _____

Cell Phone _____

Check this box if you do not want your personal data on member only web site.

Multiple owner of Sail# _____ Yacht Name _____ Design (Ex. Cal 25) _____

TO REGISTER FOR DRYA RACING: Circle Racing Class: (IRC, OD, PHRF(Cruising or Spin or Asym or Jam), All Others)

For multiple owners, only one Yacht Registration Fee is required, but **EACH OWNER MUST BE A DRYA SUSTAINING MEMBER.** The Yacht Registration Fee will appear on the registration of only one owner, who should identify the other owners.

TO REQUEST A PHRF RATING FOR A BOAT please fill-in and **SIGN** the "DRYA PHRF HANDICAP COMMITTEE FORM" which can be found on the back of this form.

FEE SCHEDULE: Sustaining & Associate = **\$45**, Family = **\$55**, Collegiate=**\$40**, Junior = **\$25**, Contributing = **\$90** and up. Please **circle** your **Choice** and enter fee. See below for definitions of membership types.

BE SURE TO INCLUDE US SAILING MEMBER NUMBER.

Dues (If yacht is registered, indicate only dues in excess of the \$45 sustaining Fee.)\$ _____

Yacht Registration Fee (includes handicapping & \$45 sustaining Fee; select one alternative):

US Sailing member's yacht: (Membership #: _____)..... \$140

All other yachts: \$150

Late Registration Fee for boats registered last year DUE AFTER FEB. 5TH)..... \$50

Non-DRYA members yacht handicapping certificate (\$40 prior to March 1, 2012)\$45

Handicapping Certificate for DRYA members not registered to race.....\$25

Seasons DRYA regatta results subscription.....\$22

DRYA Handbook.....\$20

All DRYA information will be by Email in 2012. If you want US Mail pay an additional. \$25 _____

*****TOTAL*****\$ _____

NOTE: D.R.Y.A. applicants must pay a SUSTAINING, FAMILY or COLLEGIATE Membership Fee. All boat owners wishing to race must pay the REGISTRATION FEE. **There is a \$10 REGISTRATION credit for US Sailing Members; they require this differential for insurance.** Proof of membership is required (copy of card or mailing label). Since D.R.Y.A. is a 501(c) (3) charitable organization dues (not registrations or other charges) should be tax deductible in accordance with provisions of the IRS code.

MEMBERSHIP CATEGORIES

Sustaining Members - a person whom is a member in good standing of a Member Club or an Affiliated Sailing Organization shall be eligible to become a Sustaining Member of the Association.

Family Members: A person who is the child under the age of 21 or the spouse of a Sustaining Member shall be eligible to become a Family Member of the Association.

Junior Members: A person under the age of 21 who is a junior member in good standing of a Member Club, a member in good standing of the Association's junior sailing organization or the child of a member in good standing of a Member Club shall be eligible to become a Junior Member of the Association.

Collegiate Members: A person who is an undergraduate member in good standing of a collegiate sailing club that is a member of the Midwest Collegiate Sailing Association shall be eligible to become a Collegiate Member of the Association.

Associate Members: A person who is not otherwise eligible to become a member of the Association but has an interest in sail racing and the activities of the Association and its Member Clubs shall be eligible to become an Associate Member of the Association.

Contributing Members: A person who is eligible to become a member of the Association and who pays specified dues in an amount greater than those established by the Executive Committee for any other category of individual membership shall be eligible to become a Contributing Member of the Association.

Mail CHECK (U.S. Funds) and Registration to: D.R.Y.A., 23915 Jefferson Avenue, Suite 1, St Clair Shores, MI 48080.

PHRF AND OFFSHORE ONE DESIGN complete reverse side before signing to verify rig & sail data.

Registrant's signature _____ Date _____

Call or FAX D.R.Y.A. at 586-778-1000. Email: TheDRYA@drya.org. Web site: www.DRYA.org duesmem11web

DRYA PHRF HANDICAP MEASUREMENTS (2012)

23915 JEFFERSON AVENUE, SUITE 1
ST CLAIR SHORES, MI 48080
(586) 778-1000 Fax & Phone

Email TheDRYA@DRYA.org Web Page: www.drya.org

**Each boat owner requesting a PHRF rating must complete this application with all data printed and signature affixed.
Submit to the DRYA office with the DRYA Membership and Yacht Registration form**

SAIL PREFIX _____ SAIL NO _____ YACHT NAME _____

DESIGN _____ HULL# _____ YEAR _____

OWNER _____

ADDRESS _____

CITY _____ STATE _____ ZIP _____

PHONE (H) _____ (W) _____

EMAIL _____

YACHT CLUB _____

DIMENSIONS

HULL: LOA _____ LWL _____ BEAM _____ DRAFT _____ DISPL _____

Design: LWL _____ BEAM _____ DRAFT _____ DISPL _____

RIG: I _____ IS _____ Des I _____ Des IS _____

J _____ Des J _____

P _____ Des P _____

E _____ Des E _____

SPL/SPRIT _____ SPL/SPRIT _____

MAST: Check Material; ALUMINUM _____ CARBON _____ OTHER _____
NUMBER OF SPREADER PAIRS _____

SAIL MEASUREMENTS

SPINNAKER: SL _____

SMW _____ SMG _____

ASSYMETRICAL #1 first year used _____

ASLU _____ ASLE _____ ASMW _____

ASMG _____ ASFT _____

ASSYMETRICAL #2 first year used _____

ASLU _____ ASLE _____ ASMW _____

ASMG _____ ASFT _____

LARGEST #1 GENOA LP _____ MG _____

YEAR SAIL FIRST USED: MAIN _____ LT#1 _____ HVY #1 _____

LT SPIN _____ ALL PURPOSE SPIN _____ LARGEST ASYM _____

VARIABLES: (Check items)

ENGINE: INBOARD _____ EXP-SHAFT _____ OUTBOARD _____ SAILDRIVE _____

PROPELLOR TYPE: FOLDING _____ FEATHERING _____ IN APERATURE _____

FIXED _____ SOLID 2-BLADE _____ SOLID 3-BLADE _____ DIAM _____

RUDDER: ATTACHED _____ SKEG _____ SPADE _____ OTHER _____

TYPE OF KEEL: FIN _____ FIN+BULB _____ TURBO _____ FULL _____ CB _____ SHOAL _____

KEEL/BALLAST MATERIAL _____

ROLLER FURLING: Y N

JIB: ABOVE DECK _____ BELOW DECK _____
MAKE & MODEL # OF ROLLER FURLER _____

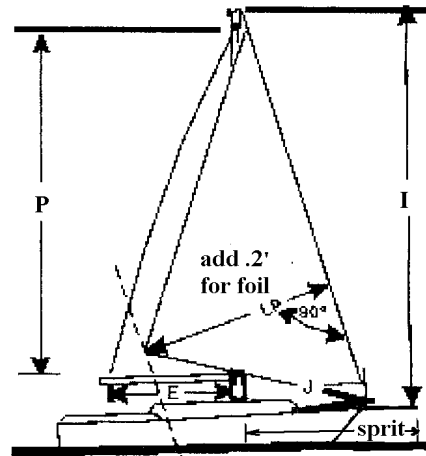
DIMENSIONS: L-luff _____ JLL _____

JIB ALWAYS FULLY FURLABLE - Y N

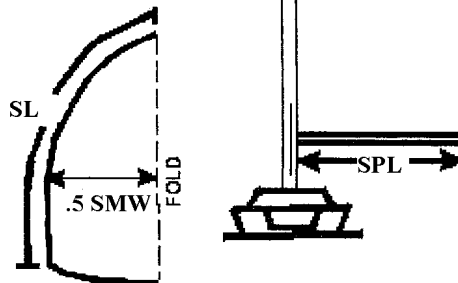
NUMBER OF HEADSAILS ONBOARD _____

MAIN: IN MAST _____ IN BOOM _____

MODIFICATIONS TO STANDARD BOAT NOT COVERED



SMW MEAS



Changes in roller furling credit must be submitted annually.

Review DRYA Handbook Section 15 on www.drya.org for details on measurements and handicapping.

I UNDERSTAND THAT IT IS THE OWNER'S RESPONSIBILITY TO NOTIFY THE HANDICAP COMMITTEE ABOUT ANY CHANGES IN THE BOAT OR ITS EQUIPMENT.

Signatures
Owner _____ Date _____

Measurer _____ Date _____